

# NAKANISHI SPINDLE HES



Headquarters・Factory  
700 Shimohinata, Kanuma, Tochigi 322-8666, Japan  
TEL +81-289-64-3520 FAX +81-289-62-1135

[www.nakanishi-inc.com](http://www.nakanishi-inc.com)  
NAKANISHI INC. 2018

PR-K314E Ver.5 '18.11.03

Nature of Tochigi, Japan  
Mt.Nasu in Winter

SERIES **HES**

ULTRA-HIGH-SPEED & SUPER-PRECISION

# Transformer

Your machining center transforms to the high speed machining center

HES510 Max. rpm 50,000min<sup>-1</sup>

HES810 Max. rpm 80,000min<sup>-1</sup>

## ✓ Spindle runout within 1μm

- Optimum for high-precision machining
- Longer tool life

## ✓ Ceramic Bearing

- Longer bearing life
- Higher rigidity for heavy cutting

## ✓ Brushless motor

- Maintenance free
- Longer product life thanks to no dust from carbon brushes to the bearing



[BT]



[NT]

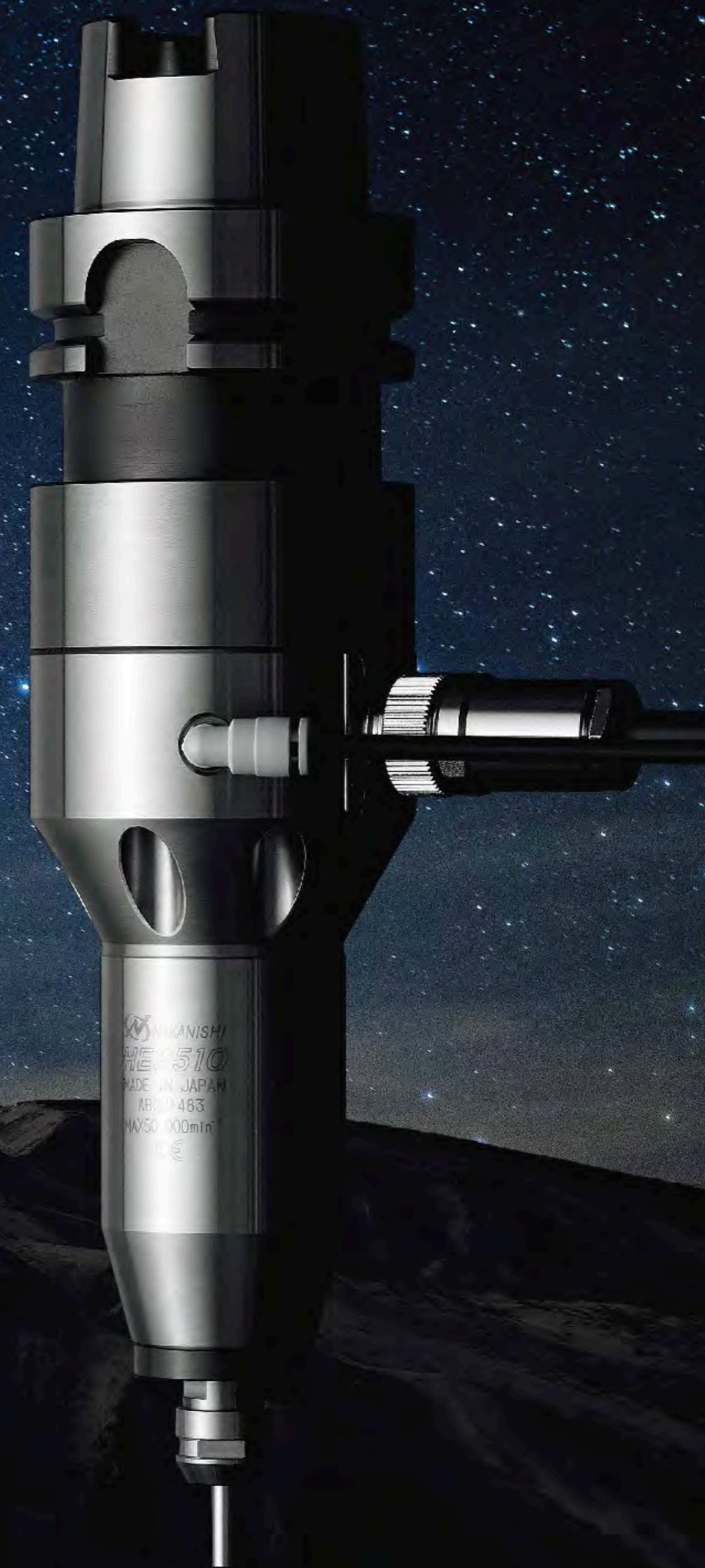


[IT]









[HSK A]

A large variety of shank types are available.

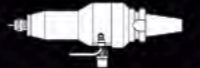









# Index

## 80,000min<sup>-1</sup> Motor Spindle

<b>HES810-BT30</b> Max.rpm 80,000min <sup>-1</sup>		p.7
<b>HES810-BT40 / NT40</b> Max.rpm 80,000min <sup>-1</sup>		p.7
<b>HES810-IT40</b> Max.rpm 80,000min <sup>-1</sup>		p.7
<b>HES810-BT50</b> Max.rpm 80,000min <sup>-1</sup>		p.9
<b>HES810-HSK A63</b> Max.rpm 80,000min <sup>-1</sup>		p.9
<b>HES810-ST32</b> Max.rpm 80,000min <sup>-1</sup>		p.9

## 50,000min<sup>-1</sup> Motor Spindle

<b>HES510-BT30 / NT30 (M)</b> Max.rpm 50,000min <sup>-1</sup>		p.13
<b>HES510-BT40 / NT40 (M)</b> Max.rpm 50,000min <sup>-1</sup>		p.13
<b>HES510-IT40</b> Max.rpm 50,000min <sup>-1</sup>		p.13
<b>HES510-BT50 / NT50 (M)</b> Max.rpm 50,000min <sup>-1</sup>		p.15
<b>HES510-IT50</b> Max.rpm 50,000min <sup>-1</sup>		p.15
<b>HES510-ST32</b> Max.rpm 50,000min <sup>-1</sup>		p.15
<b>HES510-HSK A63</b> Max.rpm 50,000min <sup>-1</sup>		p.17
<b>HES510-HSK A100</b> Max.rpm 50,000min <sup>-1</sup>		p.17

## Controller

**E3000 CONTROLLER**  
Controller p.19



## Motor cord

**EMCD-810-4M / 6M / 8M**  
Motor cord p.20

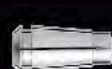


## Accessories

**AL-C1204**  
Air line kit p.20



**CHA / CHK**  
Collet p.21

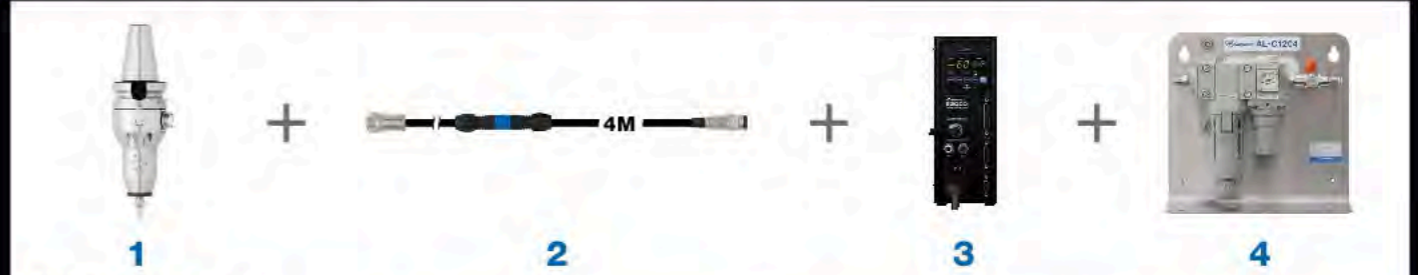


**CHN-A / K-265**  
Collet nut p.21



# Combination Example

## [HES810 SERIES] HES810-BT40 + EMCD-810-4M + E3000 + AL-C1204



### [HES810-BT40]

	Code No.	Model	Description
1	9199	HES810-BT40	Motor spindle (One-piece type)
2	9248	EMCD-810-4M	Motor Cord 4m
3	8421	E3000	E3000 Controller
4	4504	AL-C1204	Air line kit

## [HES510 SERIES] HES510-BT40 + EMCD-810-4M + E3000 + AL-C1204



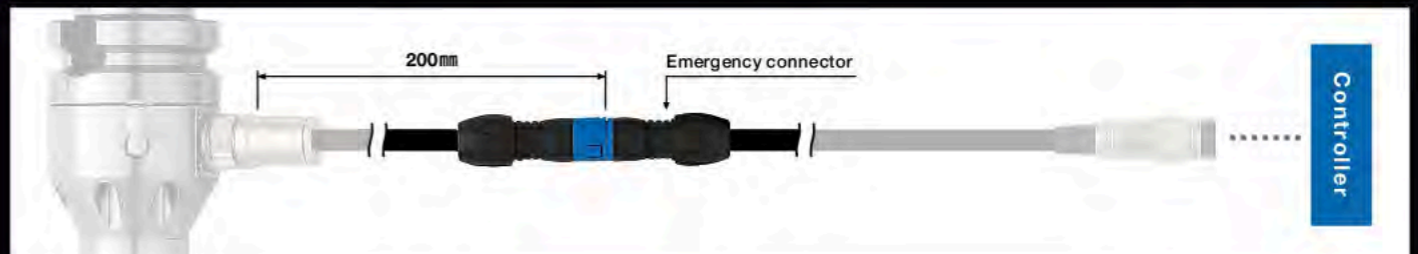
### [HES510-BT40]

	Code No.	Model	Description
1	1946	HES510-BT40	Motor spindle (One-piece type)
2	9248	EMCD-810-4M	Motor Cord 4m
3	8421	E3000	E3000 Controller
4	4504	AL-C1204	Air line kit

## Safety function

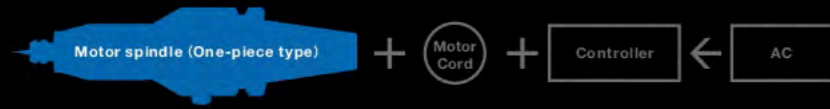
HES510/810 have a motor cord with the safety coupling.

In case the machine spindle rotates by accident, the safety coupling disconnects by itself to minimize the damage both the machine and controller.



**!** It is crucial to install the controller and the cable according to "OPERATION MANUAL" in order to function safety coupling properly.

# 80,000min<sup>-1</sup> Motor Spindle



**HES810-BT30**  
p.7

**HES810-BT40 / NT40 / IT40**  
p.7



**HES810-BT50**  
p.9

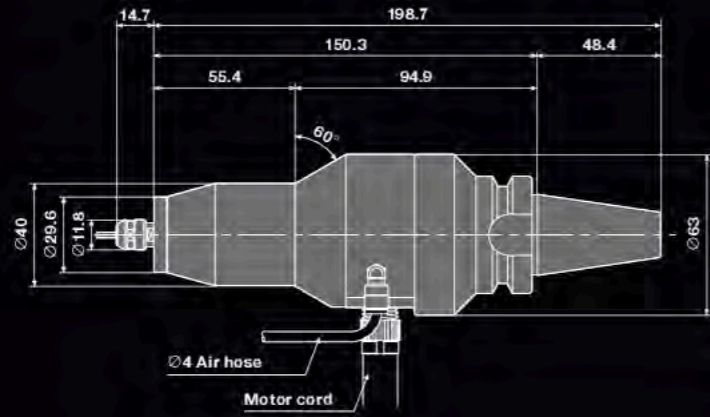
**HES810-HSK A63**  
p.9

**HES810-ST32**  
p.9

# 80,000min<sup>-1</sup> Motor Spindle

Order by Code No.

## HES810-BT30



## Specifications

**DXF data** DXF files are available on our website

### HES810-BT30

Code No. **9198** Model **HES810-BT30**



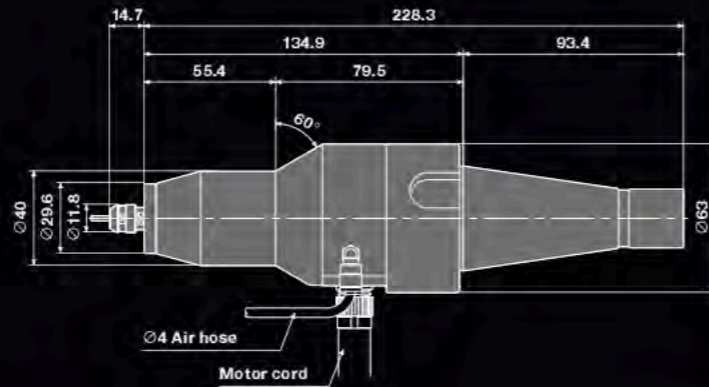
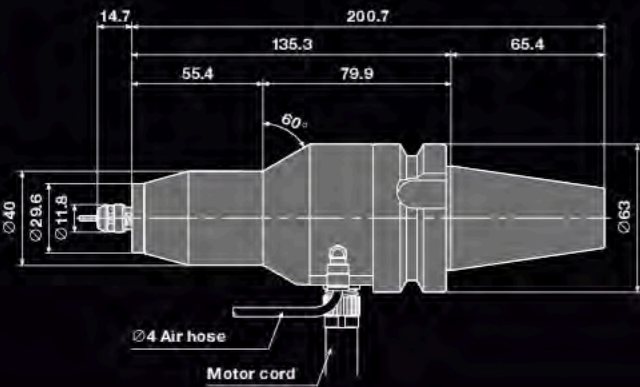
DXF-data

Max. power	Speed Range	Spindle runout	Weight
<b>350w</b>	<b>20,000~80,000min<sup>-1</sup></b> ※Recommended motor speed : 50,000~80,000min <sup>-1</sup>	Within <b>1μm</b>	<b>2.0kg</b>
Standard Accessories	Collet : ø4.0mm (CHA-4.0) / Collet nut (CHN-A) / Spanner (8×5) · (9×11) : 1pc.		
Options	Collet (CHA Group) : ø0.5 ~ ø4.0mm <a href="#">p.21</a> Motor cord : Length 4m (9248)、6m (9249)、8m (9250) Provided with ø4.0mm Air cooling hose		

## HES810-BT40 / NT40

[ BT40 ]

[ NT40 ]



### HES810-BT40 / NT40

Code No. **9199** Model **HES810-BT40**

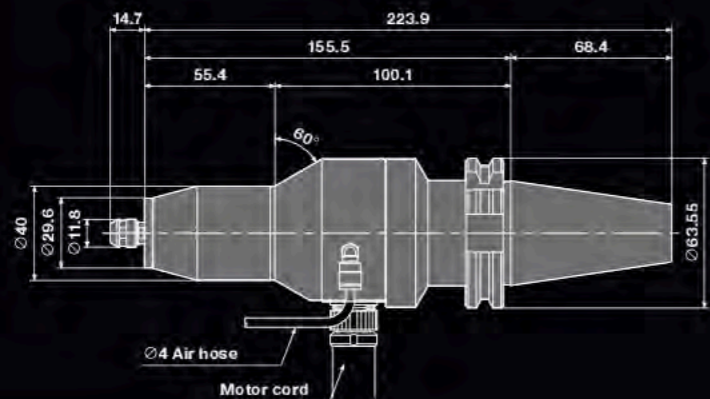
Code No. **9200** Model **HES810-NT40**



DXF-data (BT40) DXF-data (NT40)

Max. power	Speed Range	Spindle runout	Weight
<b>350w</b>	<b>20,000~80,000min<sup>-1</sup></b> ※Recommended motor speed : 50,000~80,000min <sup>-1</sup>	Within <b>1μm</b>	BT40 : <b>2.2kg</b> NT40 : <b>2.3kg</b>
Standard Accessories	Collet : ø4.0mm (CHA-4.0) / Collet nut (CHN-A) / Spanner (8×5) · (9×11) : 1pc.		
Options	Collet (CHA Group) : ø0.5 ~ ø4.0mm <a href="#">p.21</a> Motor cord : Length 4m (9248)、6m (9249)、8m (9250) Provided with ø4.0mm Air cooling hose		

## HES810-IT40



### HES810-IT40

Code No. **9202** Model **HES810-IT40**

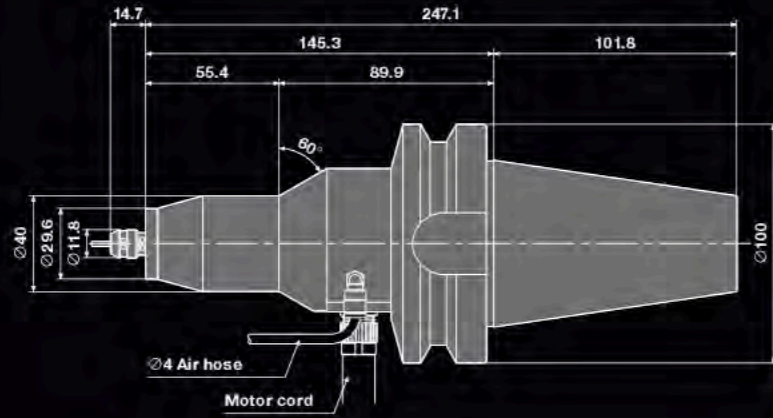


DXF-data

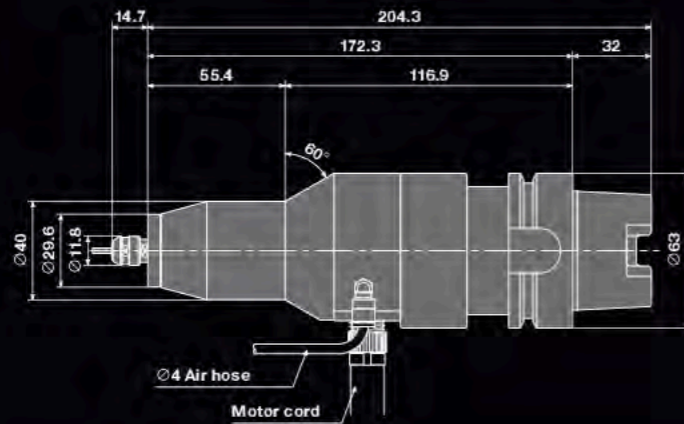
Max. power	Speed Range	Spindle runout	Weight
<b>350w</b>	<b>20,000~80,000min<sup>-1</sup></b> ※Recommended motor speed : 50,000~80,000min <sup>-1</sup>	Within <b>1μm</b>	<b>2.4kg</b>
Standard Accessories	Collet : ø4.0mm (CHA-4.0) / Collet nut (CHN-A) / Spanner (8×5) · (9×11) : 1pc.		
Options	Collet (CHA Group) : ø0.5 ~ ø4.0mm <a href="#">p.21</a> Motor cord : Length 4m (9248)、6m (9249)、8m (9250) Provided with ø4.0mm Air cooling hose		

# 80,000min<sup>-1</sup> Motor Spindle

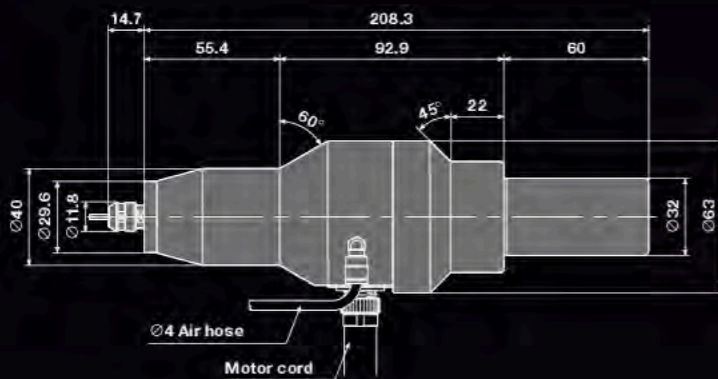
## HES810-BT50



## HES810-HSK A63



## HES810-ST32



# Specifications

**DXF data** DXF files are available on our website

Order by Code No.

### HES810-BT50

Code No. **9203** Model **HES810-BT50**



DXF-data

Max. power	Speed Range	Spindle runout	Weight
<b>350w</b>	<b>20,000~80,000min<sup>-1</sup></b> ※Recommended motor speed : 50,000~80,000min <sup>-1</sup>	Within <b>1μm</b>	<b>4.9kg</b>
Standard Accessories	Collet : ø4.0mm (CHA-4.0) / Collet nut (CHN-A) / Spanner (8×5) · (9×11) : 1pc.		
Options	Collet (CHA Group) : ø0.5 ~ ø4.0mm <a href="#">p.21</a> Motor cord : Length 4m (9248)、6m (9249)、8m (9250) Provided with ø4.0mm Air cooling hose		

### HES810-HSK A63

Code No. **9204** Model **HES810-HSK A63**



DXF-data

Max. power	Speed Range	Spindle runout	Weight
<b>350w</b>	<b>20,000~80,000min<sup>-1</sup></b> ※Recommended motor speed : 50,000~80,000min <sup>-1</sup>	Within <b>1μm</b>	<b>2.6kg</b>
Standard Accessories	Collet : ø4.0mm (CHA-4.0) / Collet nut (CHN-A) / Spanner (8×5) · (9×11) : 1pc.		
Options	Collet (CHA Group) : ø0.5 ~ ø4.0mm <a href="#">p.21</a> Motor cord : Length 4m (9248)、6m (9249)、8m (9250) Provided with ø4.0mm Air cooling hose		

### HES810-ST32

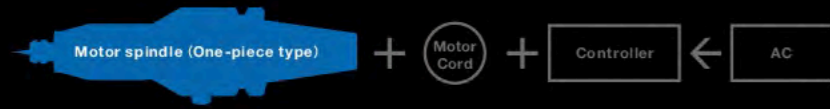
Code No. **9205** Model **HES810-ST32**



DXF-data

Max. power	Speed Range	Spindle runout	Weight
<b>350w</b>	<b>20,000~80,000min<sup>-1</sup></b> ※Recommended motor speed : 50,000~80,000min <sup>-1</sup>	Within <b>1μm</b>	<b>2.3kg</b>
Standard Accessories	Collet : ø4.0mm (CHA-4.0) / Collet nut (CHN-A) / Spanner (8×5) · (9×11) : 1pc.		
Options	Collet (CHA Group) : ø0.5 ~ ø4.0mm <a href="#">p.21</a> Motor cord : Length 4m (9248)、6m (9249)、8m (9250) Provided with ø4.0mm Air cooling hose		

# 50,000min<sup>-1</sup> Motor Spindle



**HES510-BT30 / NT30**

p.13

**HES510-BT40 / NT40 / IT40**

p.13

**HES510-BT50 / NT50 / IT50**

p.15



**HES510-ST32**

p.15

**HES510-HSK A63**

p.17

**HES510-HSK A100**

p.17

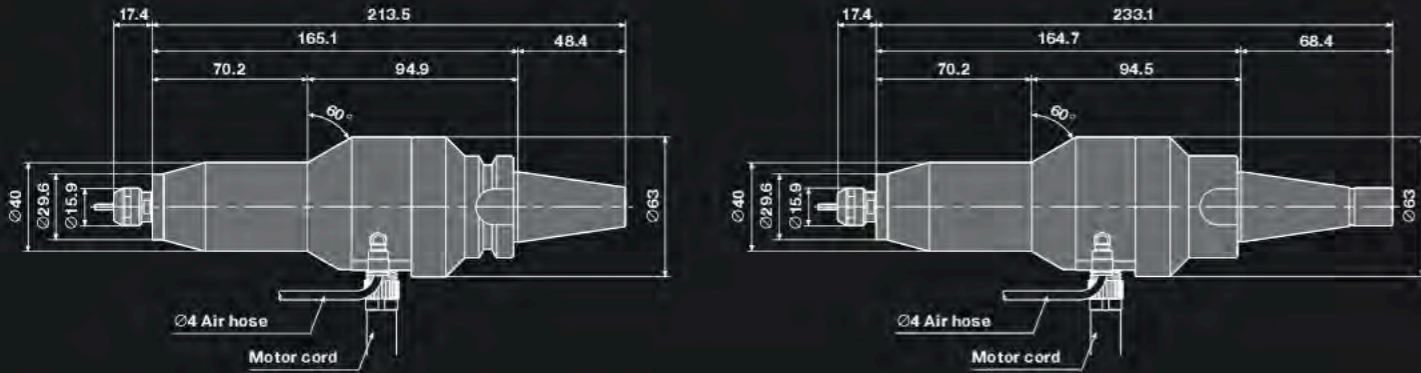
# 50,000min<sup>-1</sup> Motor Spindle

Order by Code No.

## HES510-BT30 / NT30 (M)

[ BT30 ]

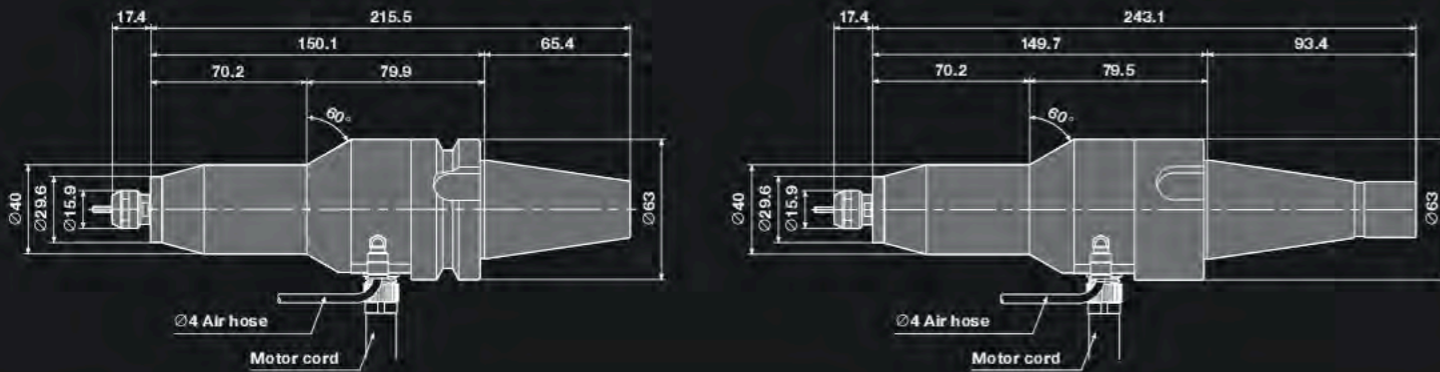
[ NT30 ]



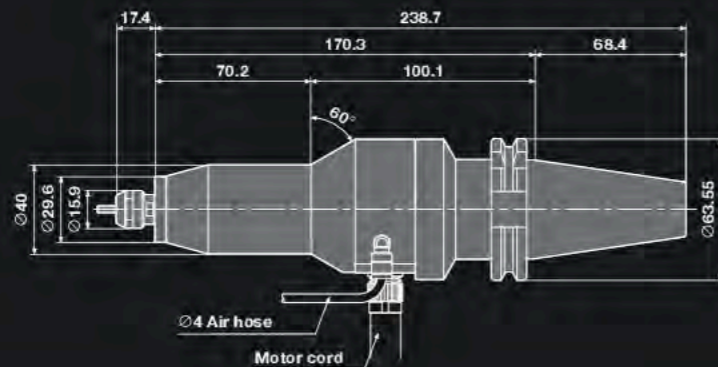
## HES510-BT40 / NT40 (M)

[ BT40 ]

[ NT40 ]



## HES510-IT40



## Specifications

**DXF data** DXF files are available on our website

### HES510-BT30 / NT30 (M)



Code No.	<b>1943</b>	Model	HES510-BT30
Code No.	<b>1944</b>	Model	HES510-NT30
Code No.	<b>1945</b>	Model	HES510-NT30M

\*NT30M-Retention knob threads are metric.

Max. power	Speed Range	Spindle runout	Weight
340w	5,000~50,000min <sup>-1</sup>	Within 1μm	BT30 / NT30(M) : 2.2kg
Standard Accessories	Collet : ø4.0mm (CHK-4.0) / Collet nut (K-265) / Spanner (12×14) : 2pcs.		
Options	Collet (CHK Group) : ø0.5 ~ ø6.35mm <a href="#">p.21</a> Motor cord : Length 4m (9248) , 6m (9249) , 8m (9250) Provided with ø4.0mm Air cooling hose		

### HES510-BT40 / NT40 (M)



Code No.	<b>1946</b>	Model	HES510-BT40
Code No.	<b>1947</b>	Model	HES510-NT40
Code No.	<b>1948</b>	Model	HES510-NT40M

\*NT40M-Retention knob threads are metric.

Max. power	Speed Range	Spindle runout	Weight
340w	5,000~50,000min <sup>-1</sup>	Within 1μm	BT40 : 2.3kg NT40(M) : 2.4kg
Standard Accessories	Collet : ø4.0mm (CHK-4.0) / Collet nut (K-265) / Spanner (12×14) : 2pcs.		
Options	Collet (CHK Group) : ø0.5 ~ ø6.35mm <a href="#">p.21</a> Motor cord : Length 4m (9248) , 6m (9249) , 8m (9250) Provided with ø4.0mm Air cooling hose		

### HES510-IT40



Code No.	<b>1950</b>	Model	HES510-IT40
----------	-------------	-------	-------------

Max. power	Speed Range	Spindle runout	Weight
340w	5,000~50,000min <sup>-1</sup>	Within 1μm	2.6kg
Standard Accessories	Collet : ø4.0mm (CHK-4.0) / Collet nut (K-265) / Spanner (12×14) : 2pcs.		
Options	Collet (CHK Group) : ø0.5 ~ ø6.35mm <a href="#">p.21</a> Motor cord : Length 4m (9248) , 6m (9249) , 8m (9250) Provided with ø4.0mm Air cooling hose		



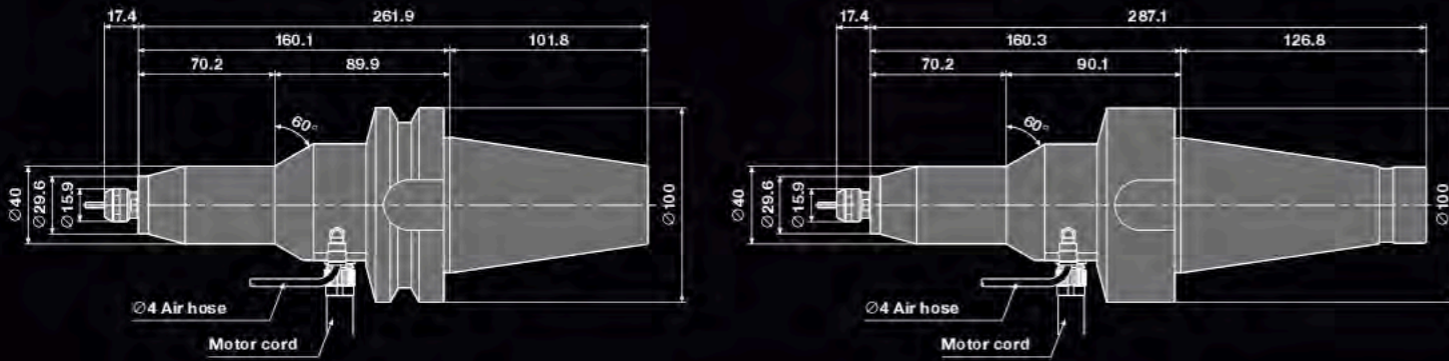
# 50,000min<sup>-1</sup> Motor Spindle

Order by Code No.

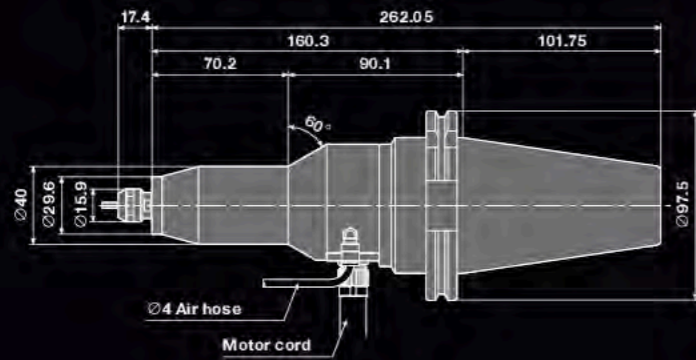
## HES510-BT50 / NT50 (M)

[ BT50 ]

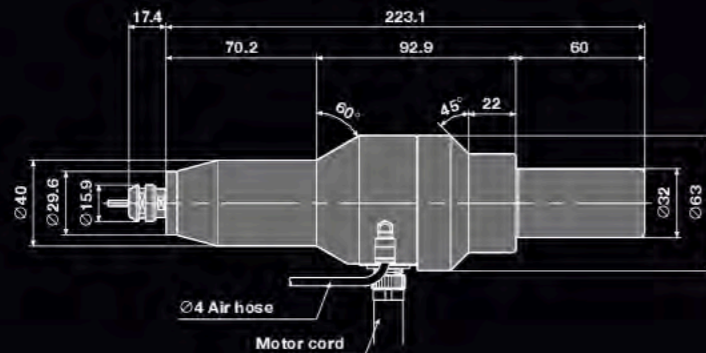
[ NT50 ]



## HES510-IT50



## HES510-ST32



## Specifications

**DXF data** DXF files are available on our website

### HES510-BT50 / NT50 (M)

Code No.	<b>1951</b>	Model	<b>HES510-BT50</b>
Code No.	<b>1952</b>	Model	<b>HES510-NT50</b>
Code No.	<b>1953</b>	Model	<b>HES510-NT50M</b>

\*NT50M-Retention knob threads are metric.



Max. power	Speed Range	Spindle runout	Weight
<b>340w</b>	<b>5,000~50,000min<sup>-1</sup></b>	Within <b>1μm</b>	BT50 : <b>5.0kg</b> NT50(M) : <b>5.4kg</b>
Standard Accessories	Collet : ø4.0mm (CHK-4.0) / Collet nut (K-265) / Spanner (12×14) : 2pcs.		
Options	Collet (CHK Group) : ø0.5 ~ ø6.35mm <a href="#">p.21</a> Motor cord : Length 4m (9248)、6m (9249)、8m (9250) Provided with ø4.0mm Air cooling hose		

### HES510-IT50

Code No.	<b>1955</b>	Model	<b>HES510-IT50</b>
----------	-------------	-------	--------------------



Max. power	Speed Range	Spindle runout	Weight
<b>340w</b>	<b>5,000~50,000min<sup>-1</sup></b>	Within <b>1μm</b>	<b>4.4kg</b>
Standard Accessories	Collet : ø4.0mm (CHK-4.0) / Collet nut (K-265) / Spanner (12×14) : 2pcs.		
Options	Collet (CHK Group) : ø0.5 ~ ø6.35mm <a href="#">p.21</a> Motor cord : Length 4m (9248)、6m (9249)、8m (9250) Provided with ø4.0mm Air cooling hose		

### HES510-ST32

Code No.	<b>9197</b>	Model	<b>HES510-ST32</b>
----------	-------------	-------	--------------------



Max. power	Speed Range	Spindle runout	Weight
<b>340w</b>	<b>5,000~50,000min<sup>-1</sup></b>	Within <b>1μm</b>	<b>2.4kg</b>
Standard Accessories	Collet : ø4.0mm (CHK-4.0) / Collet nut (K-265) / Spanner (12×14) : 2pcs.		
Options	Collet (CHK Group) : ø0.5 ~ ø6.35mm <a href="#">p.21</a> Motor cord : Length 4m (9248)、6m (9249)、8m (9250) Provided with ø4.0mm Air cooling hose		

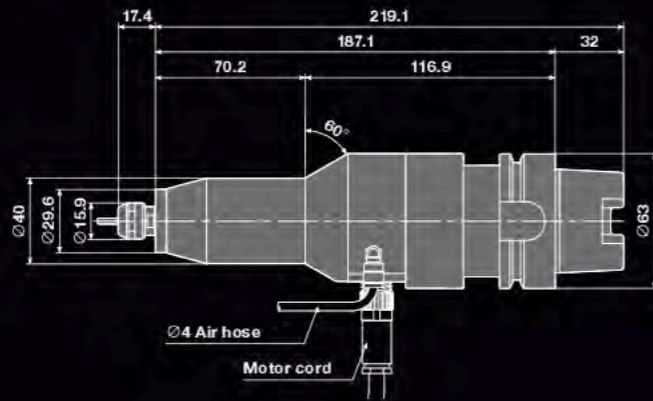
# 50,000min<sup>-1</sup> Motor Spindle

## Specifications

**DXF data** DXF files are available on our website

Order by Code No.

### HES510-HSK A63



### HES510-HSK A63

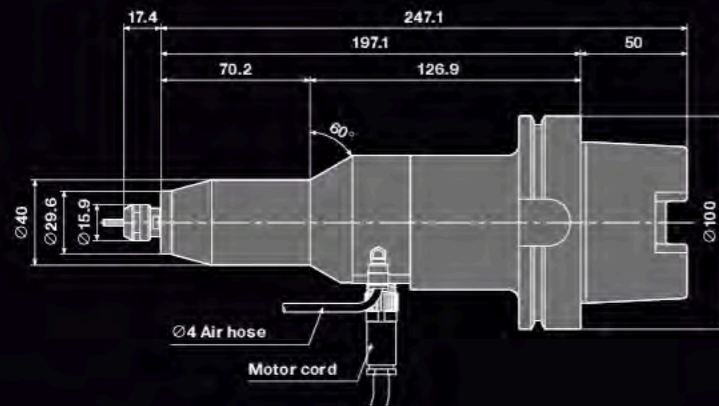
Code No. **1956** Model **HES510-HSK A63**



DXF-data

Max. power	Speed Range	Spindle runout	Weight
<b>340w</b>	<b>5,000~50,000min<sup>-1</sup></b>	Within <b>1μm</b>	<b>2.7kg</b>
Standard Accessories	Collet : ø4.0mm (CHK-4.0) / Collet nut (K-265) / Spanner (12×14) : 2pcs.		
Options	Collet (CHK Group) : ø0.5 ~ ø6.35mm <a href="#">p.21</a> Motor cord : Length 4m (9248)、6m (9249)、8m (9250) Provided with ø4.0mm Air cooling hose		

### HES510-HSK A100



### HES510-HSK A100

Code No. **1957** Model **HES510-HSK A100**



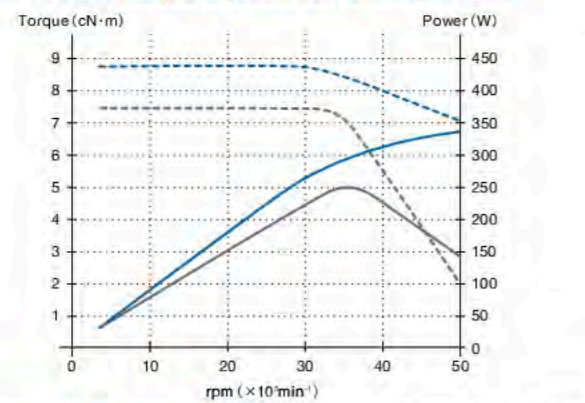
DXF-data

Max. power	Speed Range	Spindle runout	Weight
<b>340w</b>	<b>5,000~50,000min<sup>-1</sup></b>	Within <b>1μm</b>	<b>4.4kg</b>
Standard Accessories	Collet : ø4.0mm (CHK-4.0) / Collet nut (K-265) / Spanner (12×14) : 2pcs.		
Options	Collet (CHK Group) : ø0.5 ~ ø6.35mm <a href="#">p.21</a> Motor cord : Length 4m (9248)、6m (9249)、8m (9250) Provided with ø4.0mm Air cooling hose		

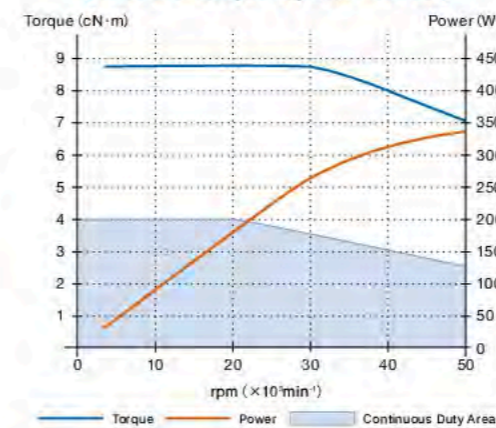
## HES510, HES810 Torque & power

On January 2013, HES510 was upgraded by changing its motor from E500 to E3000, and reborn as a super-powerful New HES510.

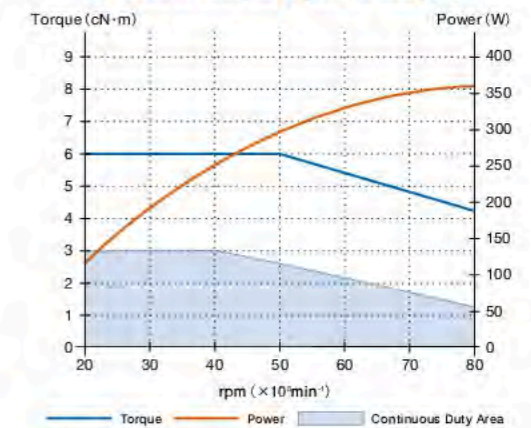
[ HES510 Torque & power curve comparison ]



[ HES510 Torque & power curve ]



[ HES810 Torque & power curve ]



# E3000 Controller



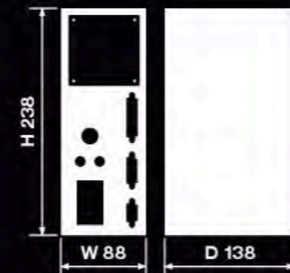
## E3000 CONTROLLER

Controller

Plug type	Code No.
100V (A Type)	8421
120V (B Type)	9775
200V (C Type)	8422
230V (D Type)	9776



Plug type	Area	Product
100v (A Type)	Japan	
120v (B Type)	USA Canada	
200v (C Type)	Without plug	
230v (D Type)	Europe	



### External Input / Output Control Signal Operation

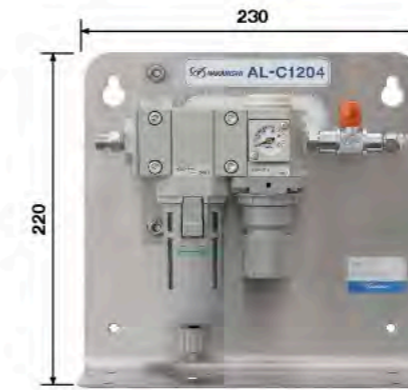
- **External Input**  
Motor Rotating / Stopped, Error Released, Rotating Direction, Motor Speed Setting and etc.
- **External Monitor**  
Motor Current, Error, Warning, Rotating pulse and etc.
- **Parameter Setting**  
Maximum motor speed setting, Fix the motor speed  
※For more information, please refer to the operation manual on our website.
- Equipped with safety relay break and speed point

Speed Range		
1,000~80,000min <sup>-1</sup>		
Input Voltage	Max. power	
AC100~240v	350w	
Power consumption	Air consumption	Weight
AC1.8A	30N ℓ/min (at 0.25~0.3MPa)	2.8kg
Standard Accessories		
Power cord : 2m / Air hose with filter / Reducer		
Connector cap (Included)		
Bracket / Nylon Clip / Screw / Rubber pad		
Fuse (T6.3AL) 250V : 2pcs		

# Accessories

## AL-C1204

Air line kit



1.9kg



※Recommendation of nominal filtration rating : 0.3μm,  
Pressure range : 0.1-1.0Mpa Recommendation of air filter : M2000-WS (CKD)

Code No.	4504	Model	AL-C1204
Standard Accessories		Hose pipe (K-260) : 2m	

Motor cord	Code No.	Model	Standard Accessories
	9248	EMCD-810-4M	Air cooling hose : ø4mm Connector cap (Included)
	9249	EMCD-810-6M	
	9250	EMCD-810-8M	

# Accessories

Collet	Code No.	Model	I.D.	Compatible model
<p>ø1.0 and over</p>	91492	CHA-2.35	ø2.35	HES810 ※ : High precision type AA (Spindle runout within 2μm)
	91430	CHA-3.0	ø3.0	
	91493	CHA-3.175	ø3.175	
	91440	CHA-4.0	ø4.0	
	—	CHA-□□	ø0.5,ø0.6,ø0.7,ø0.8,ø0.9	
	—	CHA-□□	ø1.1,ø1.2,ø1.3,ø1.4,ø1.7,ø1.8,ø1.9 ø2.1,ø2.2,ø2.3,ø2.4,ø2.6,ø2.7,ø2.8,ø2.9 ø3.1,ø3.2,ø3.3,ø3.4,ø3.6,ø3.7,ø3.8,ø3.9	
	—	CHA-□□	ø1.0,ø1.5,ø2.0,ø2.5,ø3.5 ø1.6	
	91494	CHA-3.0AA	ø3.0AA ※	
	91496	CHA-3.175AA	ø3.175AA ※	
	91495	CHA-4.0AA	ø4.0AA ※	
<p>ø0.5~ø0.9</p> <p>Collet CHA Group</p>	91592	CHK-2.35	ø2.35	HES510 ※ : High precision type AA (Spindle runout within 2μm)
	91530	CHK-3.0	ø3.0	
	91593	CHK-3.175	ø3.175	
	91540	CHK-4.0	ø4.0	
	91560	CHK-6.0	ø6.0	
	91596	CHK-6.35	ø6.35	
	—	CHK-□□	ø0.5,ø0.6,ø0.7,ø0.8,ø0.9 ø1.0,ø1.5,ø2.0,ø2.5,ø3.5,ø4.5,ø4.76,ø5.5	
	—	CHK-□□	ø1.1,ø1.2,ø1.3,ø1.4,ø1.7,ø1.8,ø1.9 ø2.1,ø2.2,ø2.3,ø2.4,ø2.6,ø2.7,ø2.8,ø2.9 ø3.1,ø3.2,ø3.3,ø3.4,ø3.6,ø3.7,ø3.8,ø3.9 ø4.1,ø4.2,ø4.3,ø4.4,ø4.6,ø4.7,ø4.8,ø4.9 ø5.1,ø5.2,ø5.3,ø5.4,ø5.6,ø5.7,ø5.8,ø5.9	
	—	CHK-□□	ø1.6,ø5.0	
	91597	CHK-3.0AA	ø3.0AA ※	
91598	CHK-3.175AA	ø3.175AA ※		
91599	CHK-4.0AA	ø4.0AA ※		
91600	CHK-6.0AA	ø6.0AA ※		
91601	CHK-6.35AA	ø6.35AA ※		
<p>ø1.0 and over</p>	91597	CHK-3.0AA	ø3.0AA ※	HES510 ※ : High precision type AA (Spindle runout within 2μm)
	91598	CHK-3.175AA	ø3.175AA ※	
	91599	CHK-4.0AA	ø4.0AA ※	
	91600	CHK-6.0AA	ø6.0AA ※	
	91601	CHK-6.35AA	ø6.35AA ※	
	—	CHK-□□	ø0.5,ø0.6,ø0.7,ø0.8,ø0.9 ø1.0,ø1.5,ø2.0,ø2.5,ø3.5,ø4.5,ø4.76,ø5.5	
	—	CHK-□□	ø1.1,ø1.2,ø1.3,ø1.4,ø1.7,ø1.8,ø1.9 ø2.1,ø2.2,ø2.3,ø2.4,ø2.6,ø2.7,ø2.8,ø2.9 ø3.1,ø3.2,ø3.3,ø3.4,ø3.6,ø3.7,ø3.8,ø3.9 ø4.1,ø4.2,ø4.3,ø4.4,ø4.6,ø4.7,ø4.8,ø4.9 ø5.1,ø5.2,ø5.3,ø5.4,ø5.6,ø5.7,ø5.8,ø5.9	
	—	CHK-□□	ø1.6,ø5.0	
	91597	CHK-3.0AA	ø3.0AA ※	
	91598	CHK-3.175AA	ø3.175AA ※	
91599	CHK-4.0AA	ø4.0AA ※		
91600	CHK-6.0AA	ø6.0AA ※		
91601	CHK-6.35AA	ø6.35AA ※		
<p>ø0.5~ø0.9</p> <p>Collet CHK Group</p>	91597	CHK-3.0AA	ø3.0AA ※	HES510 ※ : High precision type AA (Spindle runout within 2μm)
	91598	CHK-3.175AA	ø3.175AA ※	
	91599	CHK-4.0AA	ø4.0AA ※	
	91600	CHK-6.0AA	ø6.0AA ※	
	91601	CHK-6.35AA	ø6.35AA ※	
	—	CHK-□□	ø0.5,ø0.6,ø0.7,ø0.8,ø0.9 ø1.0,ø1.5,ø2.0,ø2.5,ø3.5,ø4.5,ø4.76,ø5.5	
	—	CHK-□□	ø1.1,ø1.2,ø1.3,ø1.4,ø1.7,ø1.8,ø1.9 ø2.1,ø2.2,ø2.3,ø2.4,ø2.6,ø2.7,ø2.8,ø2.9 ø3.1,ø3.2,ø3.3,ø3.4,ø3.6,ø3.7,ø3.8,ø3.9 ø4.1,ø4.2,ø4.3,ø4.4,ø4.6,ø4.7,ø4.8,ø4.9 ø5.1,ø5.2,ø5.3,ø5.4,ø5.6,ø5.7,ø5.8,ø5.9	
	—	CHK-□□	ø1.6,ø5.0	
	91597	CHK-3.0AA	ø3.0AA ※	
	91598	CHK-3.175AA	ø3.175AA ※	
91599	CHK-4.0AA	ø4.0AA ※		
91600	CHK-6.0AA	ø6.0AA ※		
91601	CHK-6.35AA	ø6.35AA ※		

Collet nut	Code No.	Model	Description	Compatible model
	2102	CHN-A	Collet nut for CHA collet	HES810
	2129	K-265	Collet nut for CHK collet	HES510

# NAKANISHI Solutions LINE UP

## Electric Motors & Spindles



Application for CNC lathes / Special purpose machines

Application for machining centers and milling machines

### E4000 SERIES

1,000~40,000min<sup>-1</sup> Max. 1,200W  
[ ø40mm ]

- World's highest power in this class
- Max. power: 1,200W, Max. torque: 1.0N·m

### E3000 SERIES

1,000~80,000min<sup>-1</sup> Max. 350W  
[ ø30/25/20mm ]

- The largest product lines for various processing
- Space-saving solution for small CNC lathe

### HES SERIES

Max. 80,000min<sup>-1</sup>  
[ For small diameter endmills and drills only ]

[ HES810 ]

- The most cost effective solution to add high-speed machining capability
- 80,000min<sup>-1</sup>, 6.0cN·m
- BT, NT, HSK A63, ST shanks are available
- Driven by E3000 Controller

### E2000 SERIES

1,000~50,000min<sup>-1</sup> Max. 200W  
[ ø22.8/25mm ]

- Small size spindle allows multi-axis installation in limited space

### iSpeed3 SERIES

1,000~80,000min<sup>-1</sup> Max. 150W  
[ ø19.05/20/22/25mm ]

- Super short motor spindle
- High efficiency brushless motor

### HES510

50,000min<sup>-1</sup>, 8.75cN·m

- BT, NT, CAT, I, HSK A, ST shanks are available
- Driven by E3000 Controller

## Air Motors & Spindles



Application for CNC lathes / Special purpose machines

Application for machining centers and milling machines

### AM SERIES One-piece type

1,000~60,000min<sup>-1</sup> Max. 350W  
[ ø30/25/20mm ]

- Short body enables the spindle to mount in a limited space on a small NC/CNC lathe or on a special purpose machine

### AM SERIES Modular type

5,000~30,000min<sup>-1</sup> Max. 125W  
[ ø22.8mm ]

- Separate motor and spindle for flexible application changes
- Adjustable to various application through changing spindles

### SMS SERIES

40,000min<sup>-1</sup>  
[ For small diameter endmills and drills only ]

- Ceramic bearings for higher rigidity and precision
- Straight and BT, NT shanks are available

## Air Turbine Spindles



Application for CNC lathes / Special purpose machines

Application for machining centers and milling machines

### Xpeed SERIES

Max. 160,000min<sup>-1</sup>  
[ ø65/40mm ]

- Extreme accuracy-Runout 1μm
- For high precision small diameter drilling, internal grinding of ceramics
- Long life of spindle thanks to contactless rotation mechanism

### PLANET SERIES

Max. 65,000min<sup>-1</sup>

- A milling machine turns into a jig grinder
- For high precision internal grinding

### HTS SERIES

150,000min<sup>-1</sup>  
[ For small diameter endmills and drills only ]

- No thermal expansion on Z axis thanks to air turbine generating little heat
- Ultra high speed 150,000min<sup>-1</sup> with higher rigidity thanks to ceramic bearings
- BT, HSK E and straight (M2040) shanks are available

Electric spindle

Air spindle